



Model Number

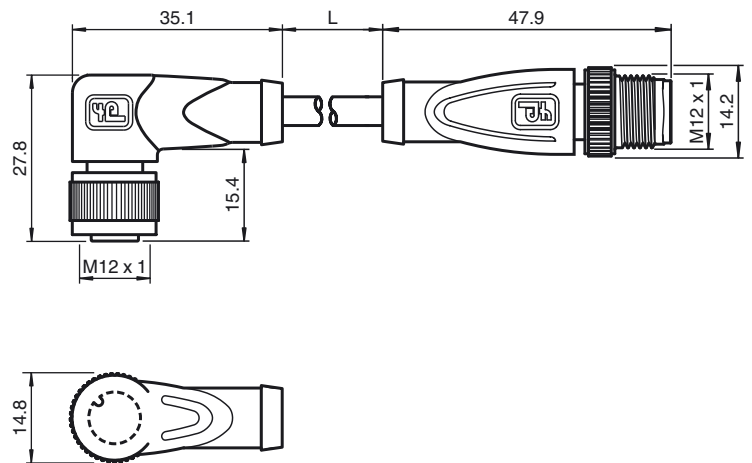
V1-W-E2-3M-PUR-V1-G

Connection cable, M12 to M12 with LED, PUR cable, 3-pin

Features

- Built-in LED, as operating and function indicator
- Knurled nut suitable for tool assembly
- Immunity to vibration, with mechanical latching
- Gold plated contacts
- Degree of protection IP67 / IP68 / IP69K
- Halogen-free

Dimensions



Technical data

General specifications

Number of pins 3

Electrical specifications

Operating voltage U_B max. 24 V DC \pm 15%
 Operating current I_B max. 4 A
 Contact resistance < 10 m Ω

Ambient conditions

Ambient temperature Body: -40 ... 90 °C (-40 ... 194 °F)
 cable, fixed: -40 ... 80 °C (-40 ... 176 °F)
 cable, flexing: -30 ... 80 °C (-22 ... 176 °F)

Pollution degree 3

Mechanical specifications

Contact elements spring-loaded contact socket

Pin diameter 1 mm

Degree of protection IP67 / IP68 / IP69k

Material

Contacts CuSn / Au
 Contact surface Au
 Body TPU, transparent/black
 Cable PUR
 Slotted nut Diecast zinc
 Sleeve connector Diecast zinc
 Core insulation PP

Cable fine-strand, flexible
 Sheath diameter \varnothing 4.8 mm
 Bending radius > 10 x cable diameter, moving
 Color grey
 Number of cores 3
 Core cross-section 0.34 mm²
 Conductor construction 19 x 0.15 mm \varnothing
 Length L 3 m

Flammability

Contact carrier 94 HB
 Housing 94 V-2

Compliance with standards and directives

Standard conformity
 Degree of protection EN 60529:2000
 Standards IEC 61076-2-101:2008
 Flammability Grip: UL 94

Electrical connection

